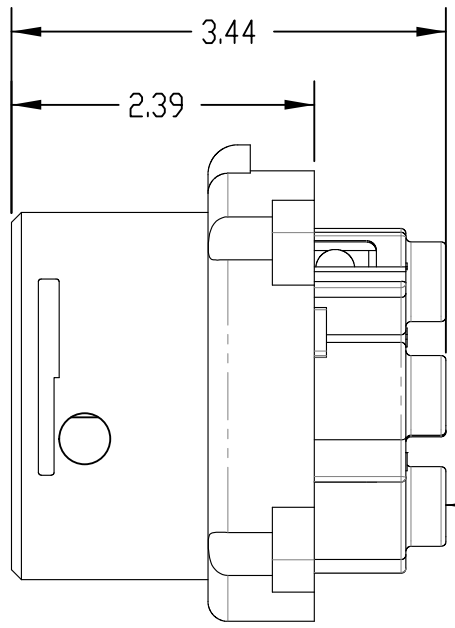
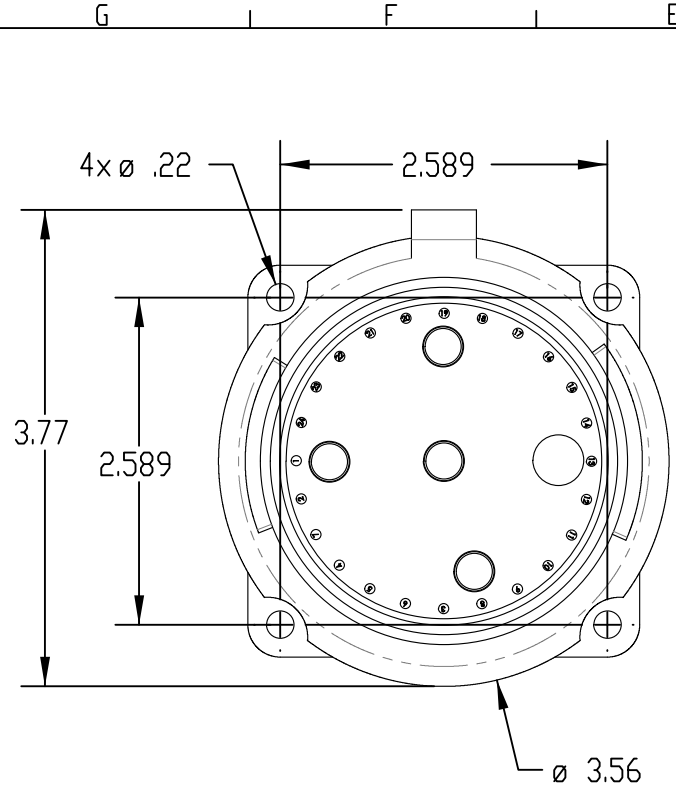
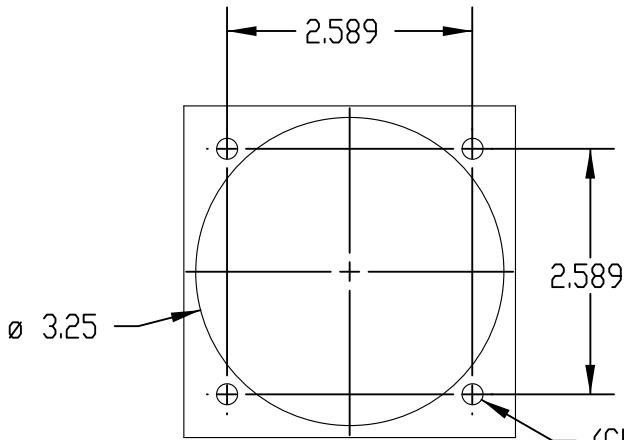
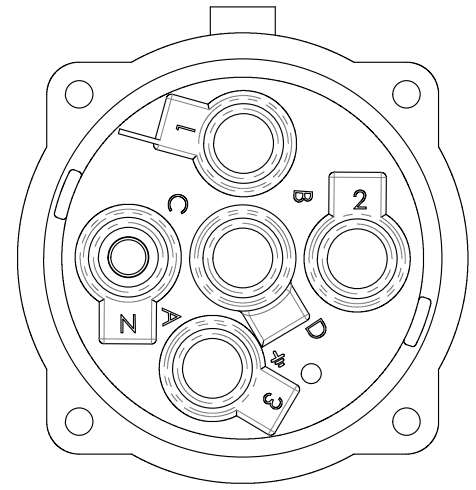


This drawing is the property of MELTRIC Corporation, Franklin (Milwaukee), Wisconsin, USA. Any unauthorized copying of this drawing by any means or disclosure of its contents to any person not authorized by MELTRIC Corporation or its agents to receive it, is strictly prohibited.



600 AND 750VDC
 DEVICES WILL HAVE
 JUMPERS & EXTRA
 CONTACTS.



ENTRY HOLE PATTERN

4X ø .221
 (CLEARANCE FOR
 10-32 HARDWARE)

TOLERANCES UNLESS OTHERWISE SPECIFIED			
MACHINED SURFACES	125/32 MAX		
GROUND SURFACES	32/32 MAX	0.X ±0.05	DRAWN: _____ APPROVED: _____ DATE: _____ SCALE: NTS MATERIAL: BLUE POLY CASING SHEET: 1 OF 1 PART NUMBER: 33-68xxx(-xxx) REVISION: _____
ANGLE TOLERANCE	±1°	0.XX ±0.01	
REMOVE BURRS & SHARP EDGES TO .015 MAX.		0.XXX ±0.005	
DIMENSIONS SHOWN IN OVALS ARE INSPECTION DIMENSIONS.			

ENG/RD/06 REV: 20 ISSUED DATE: 11/15/11